

JUXTA D Series

General Specifications

Model DCO
OUTPUT ISOLATOR

JUXTA

1. General

This DCS correspondence nest stored type voltage output signal isolator inputs 4~20mA DC signals and converts them into 4~20mA DC or 10~50mA DC current signals.

- Input current is limited at the time of open to be able to detect load open by input device.

2. Specifications

Input & Output	
Input signal	4~20mA DC
Input resistance	250Ω or less when normal operation 32KΩ or more when load open
Output voltage drop	5V DC or less (4~20mA when output) 14V DC or less (10~50mA when output)
Permissible applied current	40mA DC or less
Output signal	Current signal
Standard Performance	
Accuracy rating	±0.1% of span when output spec. is 4~20mA DC ±0.3% of span when output spec. is 10~50mA DC
Response speed	10ms 63% response (10~90%)s
Insulation resistance	100MΩ or more (at 500V DC) between input~output, input~power supply and output~power supply
Voltage withstand	1500V AC/minute between input~output, input~power supply 500V AC/minute between output~power supply
Ambient temperature and humidity	Normal operating condition : 0~50° C, 5~90% RH Operating limit : -10~60° C, 5~95% RH Storage condition : -10~70° C, 5~95% RH
Power supply voltage	24V DC±10% (ripple content 10% p-p or less)
Effect of power supply voltage fluctuation	±0.1% or less of span per 24V DC±10% fluctuation
Effect of ambient temperature change	±0.2% or less of span per 10° C temperature change
Current dissipation	24V DC 60mA (4~20mA DC), 90mA (10~50mA DC)
Mounting & Dimension	
Boards	Both sides glass-epoxy
Mounting method	Store in exclusive nest (signal-power supply be connected through back board and connector)
Wiring	External wiring : Connect to terminal M4 screw of input/output of exclusive nest. Connection to I/O card: By exclusive cable (connector)
External dimension	130.6 X 23.6 X 126mm (HxWxD)
Weight	About 120g
Accessories	
Tag number label ...	4

Output resistance and permissible load resistance

(DC current output type)		
Output signal	Output resistance	Permissible load resistance
4~20mA DC	500KΩ or more	0~750Ω
10~50mA DC		0~220Ω

DCO-A□N*A

TYPE

INPUT SIGNAL

A : 4~20mA DC

OUTPUT SIGNAL

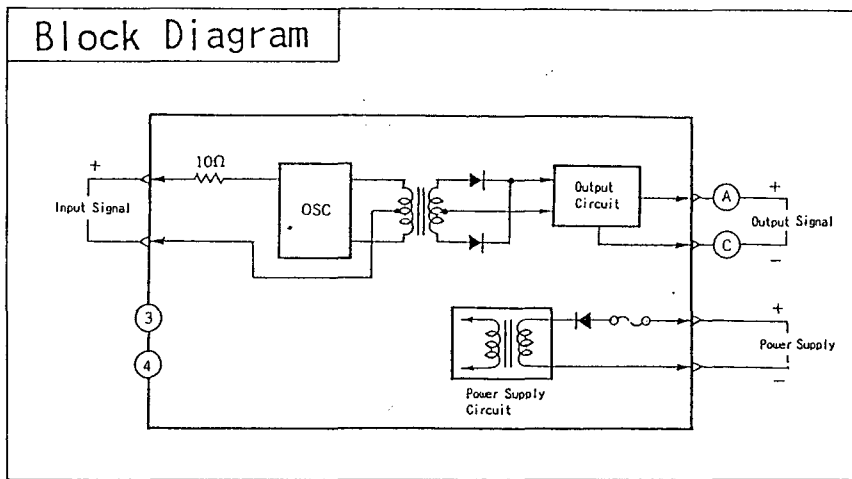
A : 4~20mA DC

B : 10~50mA DC

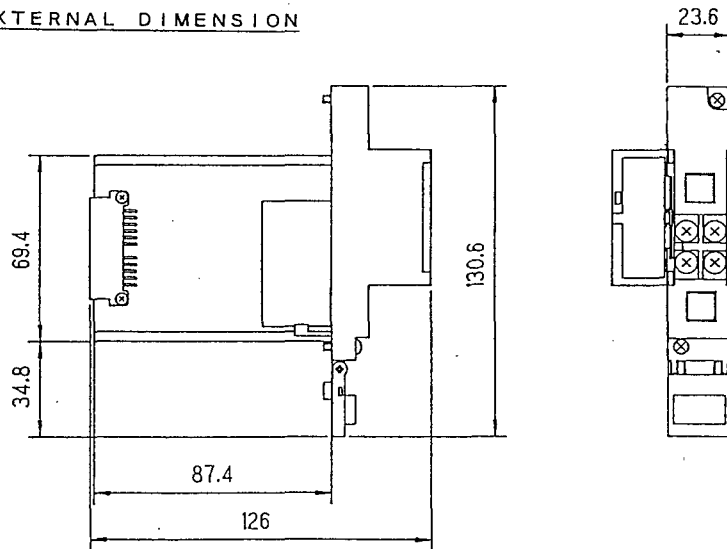
POWER SUPPLY

24V DC±10%

ORDERING INFORMATION
(Example) Type Code : DCO-AAN*A



EXTERNAL DIMENSION



Unit : mm

Subject to change without notice for grade up quality and performance